

M1206-T110L-1 (532-640nm) Acousto-Optic Modulator



0423

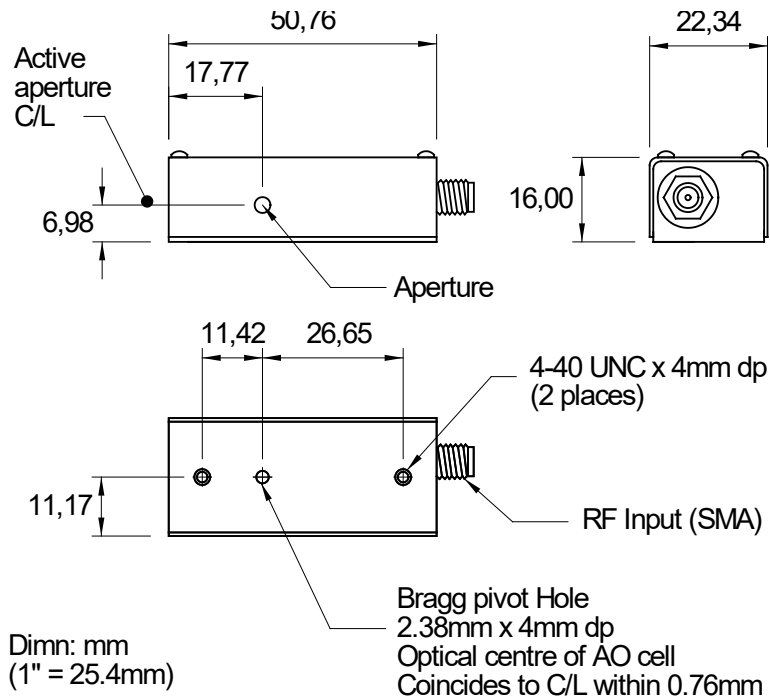
APPLICATIONS

- Modulator
- Low Resolution Deflector
- Frequency Shifter

RF DRIVERS

Digital modulation	523C-2
Analog modulation	533C-2
Dual modulation	552F-2
Tuneable with modulation	630C-110 / iSPA-SF1-w

OUTLINE DRAWING



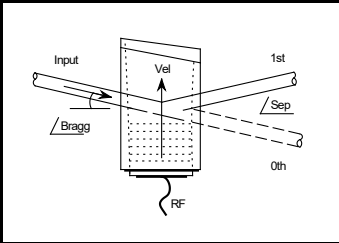
Option:

Metric fixing holes, M3-0.5 thread: add suffix -M

Mount device to heat conducting surface

ALL SPECIFICATIONS SUBJECT TO CHANGE WITHOUT NOTICE
 ISOMET CORP, 10342 Battlevue Parkway, Manassas, VA 20109, USA.
 Tel: (703) 321 8301 Fax: (703) 321 8546
 E-mail: ISOMET@ISOMET.COM Web Page: WWW.ISOMET.COM

Quality Assured.
 In-house: Crystal Growth,
 Optical Polishing,
 A/R coating, Vacuum Bonding



M1206-T110L-1 (532-640nm)

Acousto-Optic Modulator



0423

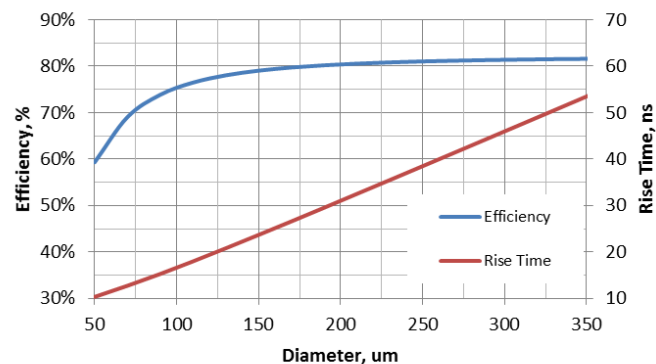
SPECIFICATIONS

A/R Operating Wavelengths:	532-640nm
Interaction Medium:	Tellurium Dioxide (TeO ₂)
Acoustic Velocity:	4.2mm/μs
Active Aperture:	1.0mm
Centre Frequency (CF):	110MHz
RF Bandwidth (minimum):	40MHz (+/- 20MHz)
Input Impedance:	50Ω Nominal
VSWR:	<1.5:1 @ 110MHz
DC Contrast Ratio:	>1000:1 min (>2000:1 typical)

PERFORMANCE vs. WAVELENGTH

Wavelength:	532nm	633nm
RF Drive Power (nominal):	0.7W	1.0W
Bragg Angle:	7.0mrad	8.3mrad
Beam Separation:	13.9mrad	16.6mrad
Static Insertion Loss:	< 3%	< 3%

PERFORMANCE vs. BEAM DIAMETER at 532nm



Maximum CW or average RF drive power 1.5W

ALL SPECIFICATIONS SUBJECT TO CHANGE WITHOUT NOTICE
 ISOMET CORP, 10342 Battlevue Parkway, Manassas, VA 20109, USA.
 Tel: (703) 321 8301 Fax: (703) 321 8546
 E-mail: ISOMET@ISOMET.COM Web Page: WWW.ISOMET.COM

Quality Assured.
In-house: Crystal Growth,
Optical Polishing,
A/R coating, Vacuum Bonding